

# CME

Data sheet - rev. 1.0

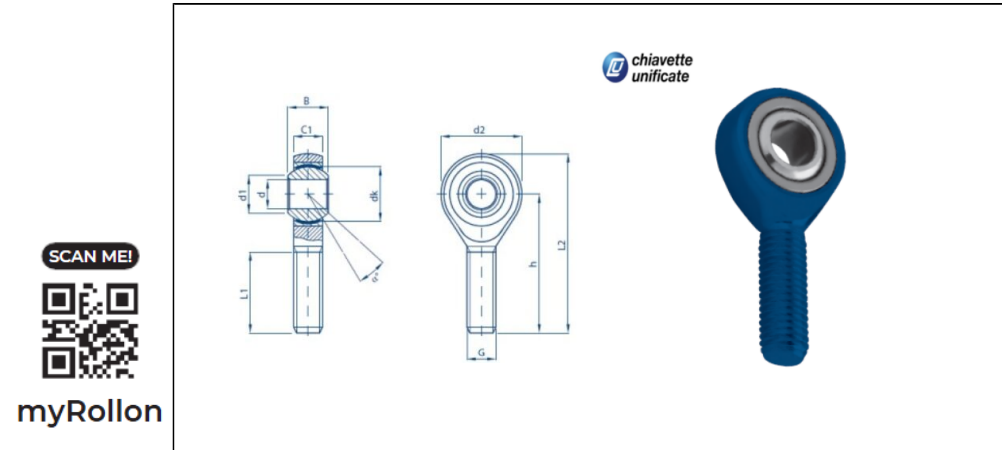
## Rod Ends - Tesno Ergal

Self-lubricating rod ends with PTFE in ergal, male thread, series K, DIN ISO 12240-4, maintenance free

### FEATURES AND ADVANTAGES

- **HOUSING:** ERGAL (alloy EN AW 7075 state T6) blue or purple anodized surface
- **OUTER RING:** C45 (1.1191) carbon steel and PTFE bonded on the inner surface
- **INNER RING:** tempered, ground and polished steel for bearings 100Cr6 (1.3505)
- **MAINTENANCE:** maintenance free
- **TEMPERATURE RANGE:** -40° C to +200° C
- **USE & MAINTENANCE :** [see this page](#)
- **STATIC LOAD SERVICE LIFE :** [see this page](#)
- **TOLERANCES :** [see this page](#)

### COMPONENTS AND DIMENSIONS



Type		Measurements [mm]															Tilt angle	Rotational speed limit	Axial factor	Basic load rating		Radial clearance	Weight	
Right hand thread	Left hand thread	d	G	B	C1	h/h1	d1	d2	d3	d4	dk	l1/13	l2/14	l5	l7	W	$\alpha$ (°)	$n_{max}$ (min <sup>-1</sup> )	Y	Y0	dyn C (kN)	stat C0 (kN)	CN (µm)	kg
<b>CME6 M6</b>	<b>CMEL6 M6</b>	6	M6	9	6.75	36	8.9	20	-	-	12.7	21	46	-	-	-	13	-	-	-	11	6.4	0-32	0.01
<b>CME8 M8</b>	<b>CMEL8 M8</b>	8	M8	12	9	42	10.4	24	-	-	15.87	25	54	-	-	-	14	-	-	-	19	11.8	0-32	0.04
<b>CME10 M10</b>	<b>CMEL10 M10</b>	10	M10	14	10.5	48	12.9	28	-	-	19.05	28	62	-	-	-	13	-	-	-	27.1	18.8	0-32	0.06
<b>CME12 M12</b>	<b>CMEL12 M12</b>	12	M12	16	12	54	15.4	32	-	-	22.22	32	70	-	-	-	13	-	-	-	36.7	25.9	0-40	0.09

# ROTATIONAL UNITS