

DSI-E/ES-2RS

Data sheet - rev. 1.0

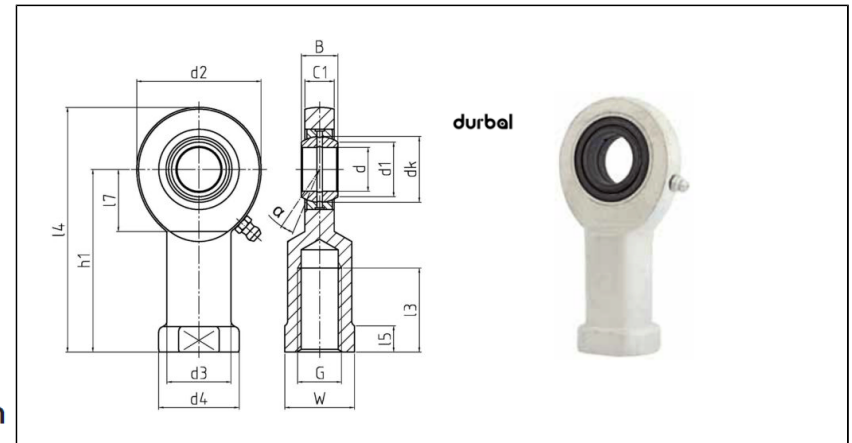
Rod Ends - Basic Line

Rod ends with pressed spherical-plain bearing, with -2RS lip seals on both sides, female thread, series E, according to DIN ISO 12240-4, maintenance required

FEATURES AND ADVANTAGES

- **HOUSING:** forged heat-treated steel, surface galvanized, free of Cr VI
- **OUTER RING:** ball bearing steel, hardened, ground, phosphated, from size 15 with single split, oil groove and drill holes, with -2RS lip seals on both sides
- **JOINT BALL:** ball bearing steel, hardened, ground, phosphated
- **MAINTENANCE:** maintenance required, oiled on delivery, initial lubrication by the user
- **GREASE NIPPLE:** DIN 3405 D1/A (sizes 15 to 17), DIN 71 412 H1 (sizes 20 to 80)
- **TEMPERATURE RANGE:** -40° C to +120° C
- **USE & MAINTENANCE :** [see this page](#)
- **STATIC LOAD SERVICE LIFE :** [see this page](#)
- **TOLERANCES :** [see this page](#)

COMPONENTS AND DIMENSIONS



SCAN ME!



myRollon

Type		Measurements [mm]															Tilt angle	Rotational speed limit	Axial factor		Basic load rating		Radial clearance	Weight
Right hand thread	Left hand thread	d	G	B	C1	h/h1	d1	d2	d3	d4	dk	l1/l3	l2/l4	l5	l7	W	α (°)	n _{max} (min ⁻¹)	Y	Y0	dyn C (kN)	stat C0 (kN)	CN (µm)	kg
DSI 15 ES-2RS	DSIL 15 ES-2RS	15	M14	12	10	61	18	40	21	26	22	30	81	8	20	22	8	-	-	-	11.2	28.8	8-82	0.18
DSI 17 ES-2RS	DSIL 17 ES-2RS	17	M16	14	11	67	20	46	24	30	25	34	90	10	23	27	10	-	-	-	13.4	36	8-82	0.22
DSI 20 ES-2RS	DSIL 20 ES-2RS	20	M20x1.5	16	13	77	24	53	27.5	35	29	40	103.5	10	27	32	9	-	-	-	20.4	48	8-82	0.35
DSI 25 ES-2RS	DSIL 25 ES-2RS	25	M24x2	20	17	94	29	64	33.5	42	35.5	48	126	12	32	36	7	-	-	-	36.5	66.4	8-100	0.64
DSI 30 ES-2RS	DSIL 30 ES-2RS	30	M30x2	22	19	110	34	73	40	50	40	56	146.5	15	37	41	6	-	-	-	46.7	88	8-100	0.93
DSI 35 ES-2RS	DSIL 35 ES-2RS	35	M36x3	25	21	125	39	82	47	58	47	60	166	15	42	50	6	-	-	-	60.3	116.8	8-100	1.3
DSI 40 ES-2RS	DSIL 40 ES-2RS	40	M39x3	28	23	142	45	92	52	65	53	65	188	18	48	55	7	-	-	-	70.6	144	8-120	2
DSI 45 ES-2RS	DSIL 45 ES-2RS	45	M42x3	32	27	145	50	102	58	70	60	65	196	20	52	60	7	-	-	-	92.7	192	8-120	2.5
DSI 50 ES-2RS	DSIL 50 ES-2RS	50	M45x3	35	30	160	55	112	62	75	66	68	216	20	60	65	6	-	-	-	112	232	8-120	3.5
DSI 60 ES-2RS	DSIL 60 ES-2RS	60	M52x3	44	38	175	66	135	70	88	80	70	242.5	20	75	75	6	-	-	-	185.3	360	8-120	5.5
DSI 70 ES-2RS	DSIL 70 ES-2RS	70	M56x4	49	42	200	77	160	80	98	92	80	280	20	87	85	6	-	-	-	221.3	488	8-142	8.6
DSI 80 ES-2RS	DSIL 80 ES-2RS	80	M64x4	55	47	230	89	180	95	110	105	85	320	25	100	100	6	-	-	-	287.6	600	8-142	12

ROTATIONAL UNITS