

DSI-E/ES

Data sheet - rev. 1.0

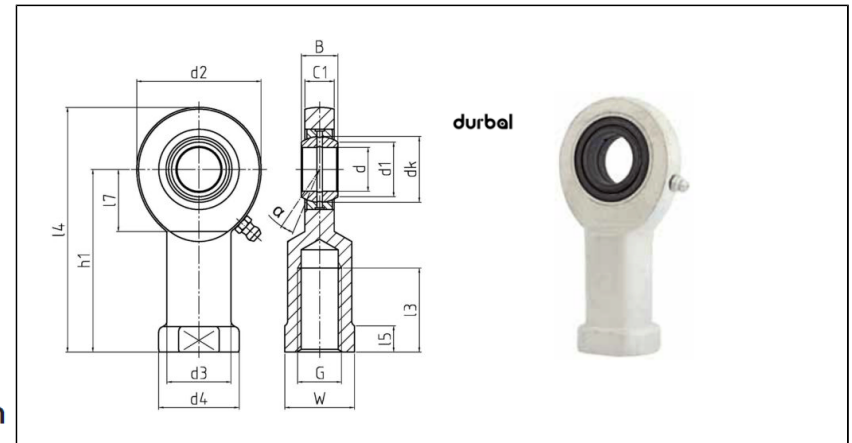
Rod Ends - Basic Line

Rod ends with pressed spherical-plain bearing, female thread, series E, according to DIN ISO 12240-4, maintenance required

FEATURES AND ADVANTAGES

- **HOUSING:** heat-treated steel, surface galvanized, free of Cr VI
- **OUTER RING:** ball bearing steel, hardened, ground, phosphated, from size 15 with single split, oil groove and drill holes
- **JOINT BALL:** ball bearing steel, hardened, ground, phosphated
- **MAINTENANCE:** maintenance required, oiled on delivery, initial lubrication by the user
- **GREASE NIPPLE:** DIN 3405 D1/A (sizes 15 to 17), DIN 71 412 H1 (sizes 20 to 80), further grease nipple
- **TEMPERATURE RANGE:** -40° C to +200° C
- **USE & MAINTENANCE :** [see this page](#)
- **STATIC LOAD SERVICE LIFE :** [see this page](#)
- **TOLERANCES :** [see this page](#)

COMPONENTS AND DIMENSIONS



Type		Measurements [mm]															Tilt angle	Rotational speed limit	Axial factor		Basic load rating		Radial clearance	Weight
Right hand thread	Left hand thread	d	G	B	C1	h/h1	d1	d2	d3	d4	dk	l1/3	l2/4	l5	l7	W	α (°)	n _{max} (min ⁻¹)	Y	Y0	dyn C (kN)	stat C0 (kN)	CN (µm)	kg
DSI 06 E	DSIL 06 E	6	M6	6	4.4	30	8	21	10	13	10	11	40.5	5	12	11	13	-	-	-	2.2	6.6	8-68	0.02
DSI 08 E	DSIL 08 E	8	M8	8	6	36	10	24	12.5	16	13	15	48	5	14	14	15	-	-	-	3.5	10.3	8-68	0.04
DSI 10 E	DSIL 10 E	10	M10	9	7	43	13	29	15	19	16	20	57.5	6.5	15	17	12	-	-	-	5.2	14.1	8-68	0.06
DSI 12 E	DSIL 12 E	12	M12	10	8	50	15	34	17.5	22	18	23	67	6.5	18	19	11	-	-	-	8.4	19.6	8-68	0.1
DSI 15 ES	DSIL 15 ES	15	M14	12	10	61	18	40	21	26	22	30	81	8	20	22	8	-	-	-	11.2	28.8	8-82	0.18
DSI 17 ES	DSIL 17 ES	17	M16	14	11	67	20	46	24	30	25	34	90	10	23	27	10	-	-	-	13.4	36	8-82	0.22
DSI 20 ES	DSIL 20 ES	20	M20x1.5	16	13	77	24	53	27.5	35	29	40	103.5	10	27	32	9	-	-	-	20.4	48	8-82	0.35
DSI 25 ES	DSIL 25 ES	25	M24x2	20	17	94	29	64	33.5	42	35.5	48	126	12	32	36	7	-	-	-	36.5	66.4	8-100	0.64
DSI 30 ES	DSIL 30 ES	30	M30x2	22	19	110	34	73	40	50	40	56	146.5	15	37	41	6	-	-	-	46.7	88	8-100	0.93
DSI 35 ES	DSIL 35 ES	35	M36x3	25	21	125	39	82	47	58	47	60	166	15	42	50	6	-	-	-	60.3	116.8	8-100	1.3
DSI 40 ES	DSIL 40 ES	40	M39x3	28	23	142	45	92	52	65	53	65	188	18	48	55	7	-	-	-	70.6	144	8-120	2
DSI 45 ES	DSIL 45 ES	45	M42x3	32	27	145	50	102	58	70	60	65	196	20	52	60	7	-	-	-	92.7	192	8-120	2.5
DSI 50 ES	DSIL 50 ES	50	M45x3	35	30	160	55	112	62	75	66	68	216	20	60	65	6	-	-	-	112	232	8-120	3.5
DSI 60 ES	DSIL 60 ES	60	M52x3	44	38	175	66	135	70	88	80	70	242.5	20	75	75	6	-	-	-	185.3	360	8-120	5.5
DSI 70 ES	DSIL 70 ES	70	M56x4	49	42	200	77	160	80	98	92	80	280	20	87	85	6	-	-	-	221.3	488	8-142	8.6
DSI 80 ES	DSIL 80 ES	80	M64x4	55	47	230	89	180	95	110	105	85	320	25	100	100	6	-	-	-	287.6	600	8-142	12