

DSA-T/K

Data sheet - rev. 1.0

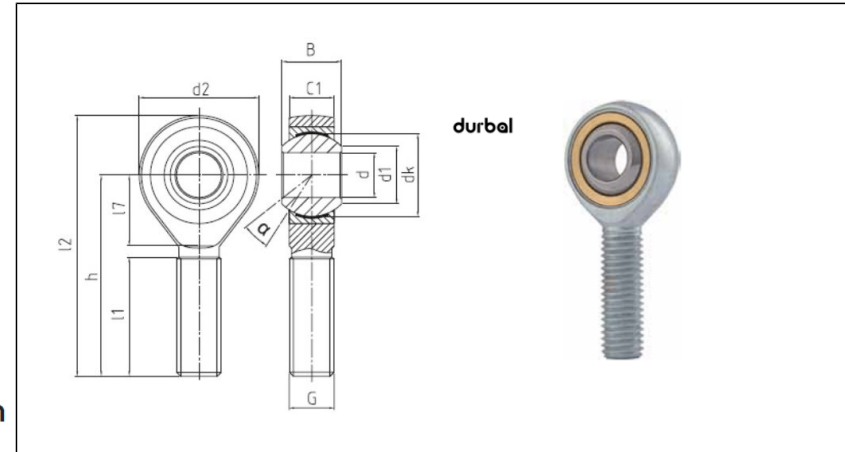
Rod Ends - Basic Line

Rod ends with pressed spherical-plain bearing, steel/PTFE, series K, male thread, according to DIN ISO 12240-4, maintenance free

FEATURES AND ADVANTAGES

- **HOUSING:** C45 forged heat-treated steel, surface galvanized, free of Cr VI
- **OUTER RING:** bearing brass, lined with bronze – PTFE – composite
- **JOINT BALL:** 100Cr6 ball bearing steel, hardened, ground, polished
- **MAINTENANCE:** maintenance free
- **TEMPERATURE RANGE:** -40° C to +200° C
- **USE & MAINTENANCE :** [see this page](#)
- **STATIC LOAD SERVICE LIFE :** [see this page](#)
- **TOLERANCES :** [see this page](#)

COMPONENTS AND DIMENSIONS



Type		Measurements [mm]															Tilt angle	Rotational speed limit	Axial factor		Basic load rating		Radial clearance	Weight
Right hand thread	Left hand thread	d	G	B	C1	h/h1	d1	d2	d3	d4	dk	l1/l3	l2/l4	l5	l7	W	α (°)	n_{max} (min ⁻¹)	Y	Y0	dyn C (kN)	stat C0 (kN)	CN (μ m)	kg
DSA 05 T/K	DSAL 05 T/K	5	M5	8	6	33	7.7	18	-	-	11.1	19	42	-	9	-	13	-	-	-	8.3	4.1	0-32	0.01
DSA 06 T/K	DSAL 06 T/K	6	M6	9	6.75	36	8.9	20	-	-	12.7	21	46	-	11	-	13	-	-	-	11	5.7	0-32	0.02
DSA 08 T/K	DSAL 08 T/K	8	M8	12	9	42	10.3	24	-	-	15.88	25	54	-	13	-	14	-	-	-	19	10.5	0-32	0.04
DSA 10 T/K	DSAL 10 T/K	10	M10	14	10.5	48	12.9	28	-	-	19.05	28	62	-	14	-	13	-	-	-	27.1	16.7	0-32	0.06
DSA 12 T/K M12x1.25	DSAL 12 T/K M12x1.25	12	M12x1.25	16	12	54	15.4	32	-	-	22.23	32	70	-	16	-	13	-	-	-	36.7	23	0-32	0.09
DSA 12 T/K	DSAL 12 T/K	12	M12	16	12	54	15.4	32	-	-	22.23	32	70	-	16	-	13	-	-	-	36.7	23	0-32	0.09
DSA 14 T/K	DSAL 14 T/K	14	M14	19	13.5	60	16.8	36	-	-	25.4	36	78	-	18	-	16	-	-	-	47.6	24.1	0-40	0.14
DSA 16 T/K M16x1.5	DSAL 16 T/K M16x1.5	16	M16x1.5	21	15	66	19.3	42	-	-	28.58	37	87	-	21	-	15	-	-	-	60	34.6	0-40	0.21
DSA 16 T/K	DSAL 16 T/K	16	M16	21	15	66	19.3	42	-	-	28.58	37	87	-	21	-	15	-	-	-	60	34.6	0-40	0.21
DSA 18 T/K	DSAL 18 T/K	18	M18x1.5	23	16.5	72	21.8	44	-	-	31.75	41	94	-	22	-	15	-	-	-	73.8	42	0-40	0.28
DSA 20 T/K	DSAL 20 T/K	20	M20x1.5	25	18	78	24.3	50	-	-	34.93	45	103	-	25	-	14	-	-	-	89	43.2	0-40	0.38
DSA 22 T/K	DSAL 22 T/K	22	M22x1.5	28	20	84	25.8	54	-	-	38.1	48	111	-	27	-	15	-	-	-	108.6	57.6	0-50	0.48
DSA 25 T/K	DSAL 25 T/K	25	M24x2	31	22	94	29.5	60	-	-	42.86	55	124	-	30	-	15	-	-	-	135	68.6	0-50	0.64
DSA 30 T/K	DSAL 30 T/K	30	M30x2	37	25	110	34.8	70	-	-	50.8	66	145	-	35	-	17	-	-	-	182.9	90	0-50	1.1
DSA 35 T/K	DSAL 35 T/K	35	M36x2	43	28	125	37.7	81	-	-	57.15	70	165.5	-	41	-	16	-	-	-	231.5	121	0-60	1.64
DSA 40 T/K	DSAL 40 T/K	40	M42x2	49	33	142	45.2	91	-	-	66.67	82	187.5	-	46	-	17	-	-	-	319.7	126.7	0-60	2.3
DSA 50 T/K	DSAL 50 T/K	50	M48x2	60	45	160	56.6	117	-	-	82.5	80	218.5	-	59	-	12	-	-	-	544.5	291.6	0-60	4.8

ROTATIONAL UNITS