

BRTF Niro

Data sheet - rev. 1.0

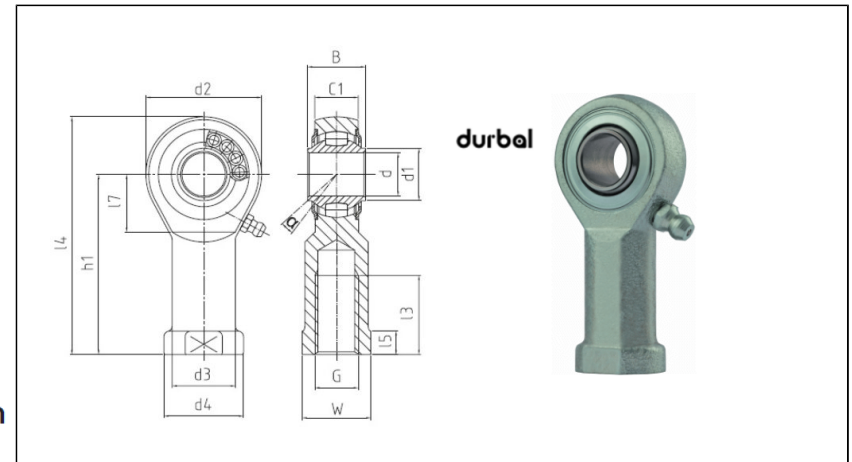
Rod Ends - Premium Line Stainless Steel

Rod ends in stainless steel with roller bearing, cage design, female thread, series K, DIN ISO 12240-4 & 8139, low maintenance, lubrication possible

FEATURES AND ADVANTAGES

- **HOUSING:** AISI 420 stainless steel, forged, hardened, bearing race superfinished, Size 25, 30 can be made as turning part, surface electropolished
- **INNER RING:** AISI 440b stainless steel, hardened, superfinished
- **ROLLING ELEMENT:** AISI 440c stainless steel, hardened, super
- **MAINTENANCE:** low maintenance, lubrication possible, aluminium-complex-soap-grease, approval according to USDA H1
- **GREASE NIPPLE IN STAINLESS STEEL:** DIN 3405 D1/A (until size 10) / DIN 71 412 H1 (from size 12), further grease nipples
- **TEMPERATURE RANGE:** -45° C to +120° C
- **USE & MAINTENANCE :** [see this page](#)
- **STATIC LOAD SERVICE LIFE :** [see this page](#)
- **TOLERANCES :** [see this page](#)

COMPONENTS AND DIMENSIONS



Type		Measurements [mm]															Tilt angle	Rotational speed limit	Axial factor		Basic load rating		Radial clearance	Weight
Right hand thread	Left hand thread	d	G	B	C1	h/h1	d1	d2	d3	d4	dk	l1/l3	l2/l4	l5	l7	W	α (°)	n_{max} (min ⁻¹)	Y	Y0	dyn C (kN)	stat C0 (kN)	CN (µm)	kg
BRTF 10 - 60 - 501	BRTF 10 - 60 - 502	10	M10	14	10.5	43	12.7	28	15	19	-	20	57	6.5	15	17	8	1225	9.5	5	6.7	3.8	10-30	0.07
BRTF 10 - 61 - 501	BRTF 10 - 61 - 502	10	M10x1.25	14	10.5	43	12.7	28	15	19	-	20	57	6.5	15	17	8	1225	9.5	5	6.7	3.8	10-30	0.07
BRTF 12 - 60 - 501	BRTF 12 - 60 - 502	12	M12	16	12	50	14.6	32	17.5	22	-	22	66	6.5	16	19	7	1125	9.5	5	8.2	4.6	10-30	0.11
BRTF 12 - 61 - 501	BRTF 12 - 61 - 502	12	M12x1.25	16	12	50	14.6	32	17.5	22	-	22	66	6.5	16	19	7	1125	9.5	5	8.2	4.6	10-30	0.11
BRTF 16 - 61 - 501	BRTF 16 - 61 - 502	16	M16x1.5	21	15	64	19	42	22	27	-	28	85	8	22	22	7	975	9.5	5	9.3	6.2	10-30	0.22
BRTF 16 - 60 - 501	BRTF 16 - 60 - 502	16	M16	21	15	64	19	42	22	27	-	28	85	8	22	22	7	975	9.5	5	9.3	6.2	10-30	0.22
BRTF 20 - 60 - 501	BRTF 20 - 60 - 502	20	M20x1.5	25	18	77	24.3	50	27.5	34	-	33	102	10	26	30	7	825	9.5	5	11.9	8.2	10-30	0.36
BRTF 25 - 60 - 501	BRTF 25 - 60 - 502	25	M24x2	31	22	94	30.1	64	30	35	-	42	126	10	32	30	5	600	9.5	5	17.4	13	10-30	0.57
BRTF 30 - 60 - 501	BRTF 30 - 60 - 502	30	M30x2	37	25	110	34.5	70	40	50	-	51	145	15	35	41	7.5	450	9.5	5	22.8	17	10-30	1

ROTATIONAL UNITS