

BRF Niro

Data sheet - rev. 1.0

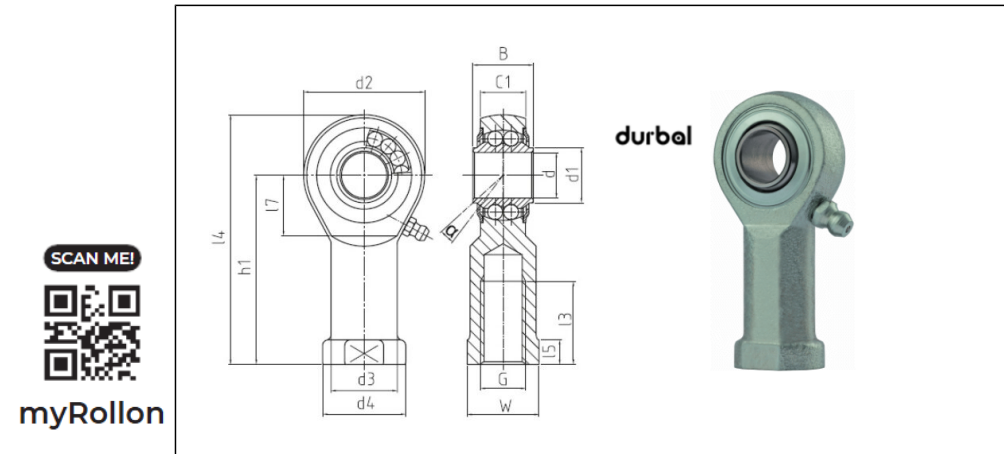
Rod Ends - Premium Line Stainless Steel

Rod ends in stainless steel with ball bearing, female thread, series K, DIN ISO 12240-4 & 8139, low maintenance, lubrication possible

FEATURES AND ADVANTAGES

- **HOUSING:** AISI 420 stainless steel, forged, hardened, bearing race superfinished, size 18, 22, 25, 30 can be made as turning part, surface electropolished
- **INNER RING:** AISI 440b stainless steel, hardened, superfinished
- **ROLLING ELEMENT:** AISI 440c stainless steel, hardened, superfinished
- **MAINTENANCE:** low maintenance, lubrication possible, aluminium-complex-soap-grease, approval according to USDA H1
- **GREASE NIPPLE IN STAINLESS STEEL:** DIN 3405 D1/A (until size 10) / DIN 71 412 H1 (from size 12), further grease nipples
- **TEMPERATURE RANGE:** -45° C to +120° C
- **USE & MAINTENANCE :** [see this page](#)
- **STATIC LOAD SERVICE LIFE :** [see this page](#)
- **TOLERANCES :** [see this page](#)

COMPONENTS AND DIMENSIONS



Type		Measurements [mm]														Tilt angle	Rotational speed limit	Axial factor		Basic load rating		Radial clearance	Weight	
Right hand thread	Left hand thread	d	G	B	C1	h/h1	d1	d2	d3	d4	dk	l1/13	l2/14	l5	l7	W	α (°)	n _{max} (min ⁻¹)	Y	Y0	dyn C (kN)	stat C0 (kN)	CN (µm)	kg
BRF 06 - 60 - 501	BRF 06 - 60 - 502	6	M6	9	6.75	30	9	20	10	13	-	12	40	5	10	11	8	1350	2.09	2.19	1.9	0.5	10-30	0.02
BRF 08 - 60 - 501	BRF 08 - 60 - 502	8	M8	12	9	36	10.4	24	12.5	16	-	16	48	5	12	14	8.5	1300	1.8	1.89	2.8	0.7	10-30	0.04
BRF 10 - 61 - 501	BRF 10 - 61 - 502	10	M10x1.25	14	10.5	43	12.7	28	15	19	-	20	57	6.5	15	17	8	1225	1.9	1.81	3.1	1	10-30	0.07
BRF 10 - 60 - 501	BRF 10 - 60 - 502	10	M10	14	10.5	43	12.7	28	15	19	-	20	57	6.5	15	17	8	1225	1.9	1.81	3.1	1	10-30	0.07
BRF 12 - 60 - 501	BRF 12 - 60 - 502	12	M12	16	12	50	14.6	32	17.5	22	-	22	66	6.5	16	19	7.5	1125	1.74	1.82	3.5	1.3	10-30	0.11
BRF 12 - 61 - 501	BRF 12 - 61 - 502	12	M12x1.25	16	12	50	14.6	32	17.5	22	-	22	66	6.5	16	19	7.5	1125	1.74	1.82	3.5	1.3	10-30	0.11
BRF 16 - 60 - 501	BRF 16 - 60 - 502	16	M16	21	15	64	19	42	22	27	-	28	85	8	22	22	8	975	2.24	2.35	1.3	1.6	10-30	0.22
BRF 16 - 61 - 501	BRF 16 - 61 - 502	16	M16x1.5	21	15	64	19	42	22	27	-	28	85	8	22	22	8	975	2.24	2.35	1.3	1.6	10-30	0.22
BRF 18 - 60 - 501	BRF 18 - 60 - 502	18	M18x1.5	23	16.5	71	21.9	46	25	31	-	32	94	10	24	27	8.5	900	2.21	2.31	2	2	10-30	0.29
BRF 20 - 60 - 501	BRF 20 - 60 - 502	20	M20x1.5	25	18	77	24.3	50	27.5	34	-	33	102	10	26	30	7	825	2.46	2.58	5.4	2.3	10-30	0.37
BRF 22 - 60 - 501	BRF 22 - 60 - 502	22	M22x1.5	28	20	84	25.8	54	30	38	-	37	111	12	26	32	8	725	2.35	2.24	6.5	2.8	10-30	0.48
BRF 25 - 60 - 501	BRF 25 - 60 - 502	25	M24x2	31	22	94	30.1	64	30	35	-	42	126	10	32	30	5	600	2.02	2.12	7.7	4	10-30	0.57
BRF 30 - 60 - 501	BRF 30 - 60 - 502	30	M30x2	37	25	110	34.5	70	40	50	-	51	145	15	35	41	7.5	450	2.24	2.35	9.9	5.3	10-30	0.98

ROTATIONAL UNITS